

Dialight

HAZARDOUS LOCATION LED OBSTRUCTION LIGHT



ETL Listed in compliance with UL1598 and UL844
for use in Class 1, Div 2 Hazardous Locations

Certified to: FAA AC NO: 150/5345-43F
Canadian Aviation Regulation CAR 621.9
(Transport Canada)

ATEX, equipment group II (surface
industries), category 3 (zone 2), T4 rated

Compliant to: ICAO
(Annex 14 - Fourth Edition, July 2004)

FEATURES / BENEFITS

- ▲ Available as a single or dual unit
- ▲ Suitable for all Class 1, Div 2, Groups A, B, C, D hazardous environments, T4 rated
- ▲ ATEX certified, equipment group II (surface industries), category 3 (zone 2), T4 rated
- ▲ Unique optically designed lens to enhance LED operation and provide 360° visibility
- ▲ Lasts years longer than an incandescent
- ▲ Weather/corrosion resistant lamp assembly and housing
- ▲ Self-contained wiring compartment eliminates additional boxes
- ▲ Threaded 1" and 3/4" bottom hub for mounting
- ▲ Can be operated steady or flashed (controller not supplied)
- ▲ 5 year warranty
- ▲ Resistant to shock and vibration
- ▲ IP 66 / NEMA 4X rated

US PATENT # 6,425,678



Ex nA IIC T4

APPLICATION

- ▲ The Dialight L-810 Obstruction Light is an LED BASED Class 1, Division 2 certified fixture. Used for obstruction marking of structures in hazardous environments, providing a valuable solution to the petrochemical industry facilities.

OPERATING CONDITIONS

- ▲ The fixture is designed for severe duty conditions and hazardous environments
- ▲ Temperatures ranging from -67°F to +131°F (-55°C to +55°C). Will withstand wind in excess of 150 mph (240 kph), salt fog.

MATERIALS / FINISH

- ▲ Cast aluminum housing and stainless steel hardware.
- ▲ Electro-statically applied powdercoat of aviation orange paint.



Dialight Europe Ltd.

Exning Road, Newmarket, England, CB8 0AX
Tel: +44 (0) 1638 666541 • Fax: +44 (0) 1638 561735
www.dialight-obstruction-lights.com
A Subsidiary of Dialight PLC



Dialight Corporation

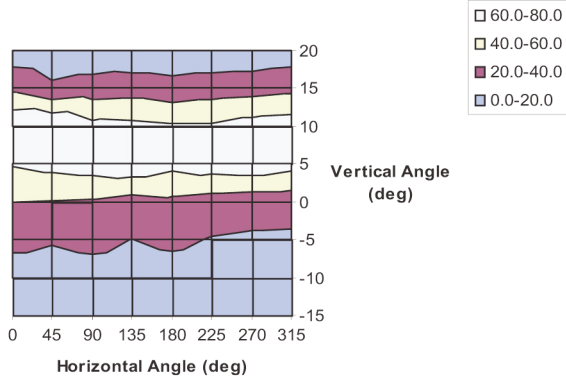
1501 Route 34 South • Farmingdale, NJ 07727 USA
Tel: (1) 732-919-3119 • Fax: (1) 732-751-5778
www.dialight.com



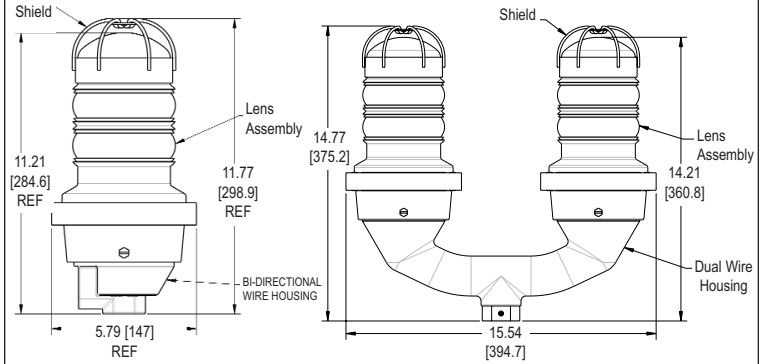
MDTF860X003_K

PHOTOMETRIC DATA

L810 Isotropic Intensity Chart



MECHANICAL DIMENSIONS



ORDERING INFORMATION

Single Units

Part Number	Volts
860-2R01-001 (Class 1, Div 2)	120VAC
860-2R02-001 (Class 1, Div 2)	220VAC
860-9R01-001 (ATEX approved)	120VAC
860-9R02-001 (ATEX approved)	220VAC

Dual Units

Part Number	Volts
860-2R01-002 (Class 1, Div 2)	120VAC
860-2R02-002 (Class 1, Div 2)	220VAC
860-9R01-002 (ATEX approved)	120VAC
860-9R02-002 (ATEX approved)	220VAC

Replacement Light Assemblies

Part Number	Volts
860-2R01 (Class 1, Div 2)	120VAC
860-2R02 (Class 1, Div 2)	220VAC
860-9R01 (ATEX approved)	120VAC
860-9R02 (ATEX approved)	220VAC

WEIGHTS & MEASUREMENTS

PART NUMBER	APPROX. SHIPPING WEIGHT	CONTAINER DIMENSIONS
Single Unit	7.14 lbs	16" x 9" x 8"
Dual Unit	16.06 lbs	22" x 17" x 9"

ELECTRICAL SPECIFICATIONS

	PF	VA	OPERATING VOLTAGE			WATTS (W)			AMPS
			Min	Nominal	Max	Min	Typ	Max	
120VAC UNITS	.3	46.5	92	120	132	10	14.5	17.5	120mA
220VAC UNITS (60 Hz)	.17	72	198	220	264	11	14.5	17.5	120mA
220VAC UNITS (50 Hz)	.17	72	198	220	264	12	14	17	120mA

Dialight Europe Ltd.

Exning Road, Newmarket, England, CB8 0AX
 Tel: +44 (0) 1638 666541 • Fax: +44 (0) 1638 561735
 www.dialight-obstruction-lights.com
 A Subsidiary of Dialight PLC



Dialight Corporation

1501 Route 34 South • Farmingdale, NJ 07727 USA
 Tel: (1) 732-919-3119 • Fax: (1) 732-751-5778
 www.dialight.com

MDTF860X003_K